

SETPREP

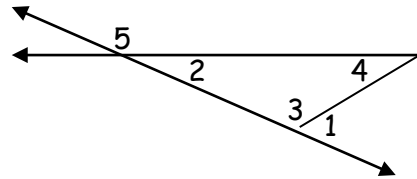
Assignment :Exterior Angles

Name _____

Date _____

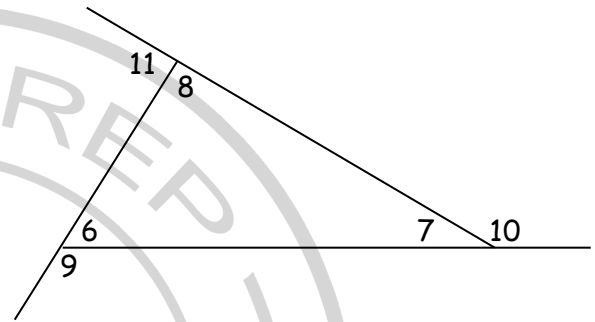
Use the figure at the right for problems 1-3.

- Find $m\angle 3$ if $m\angle 5 = 130$ and $m\angle 4 = 70$.
- Find $m\angle 1$ if $m\angle 5 = 142$ and $m\angle 4 = 65$.
- Find $m\angle 2$ if $m\angle 3 = 125$ and $m\angle 4 = 23$.



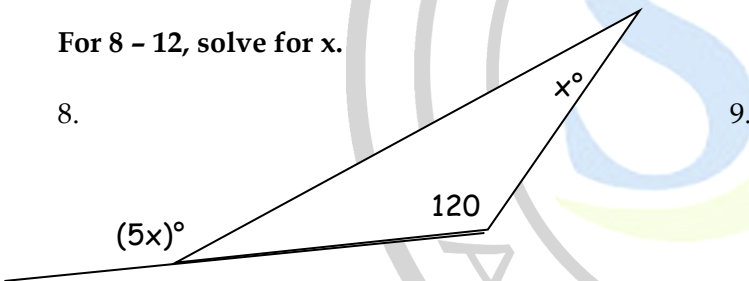
Use the figure at the right for problems 4-7.

- $m\angle 6 + m\angle 7 + m\angle 8 =$ _____.
- If $m\angle 6 = x$, $m\angle 7 = x - 20$, and $m\angle 11 = 80$, then $x =$ _____.
- If $m\angle 8 = 4x$, $m\angle 7 = 30$, and $m\angle 9 = 6x - 20$, then $x =$ _____.
- $m\angle 9 + m\angle 10 + m\angle 11 =$ _____.

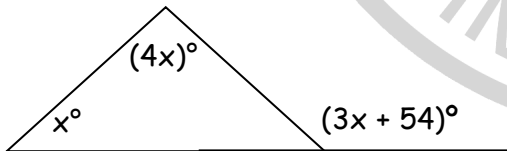


For 8 - 12, solve for x .

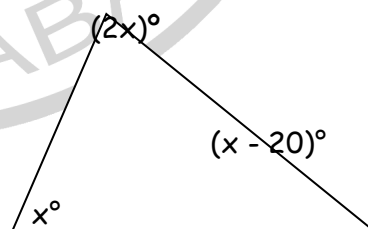
8.



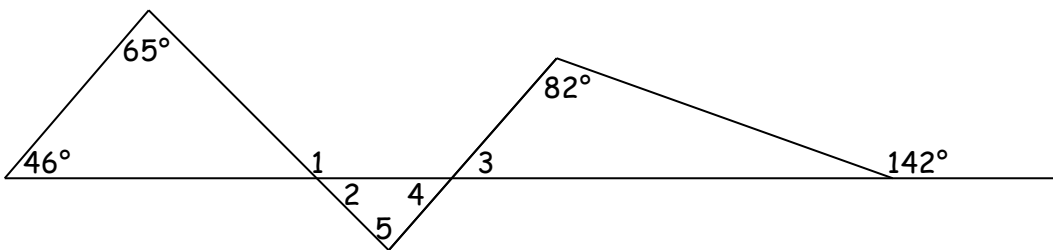
10.



11.



12. Find $m\angle 1$, $m\angle 2$, $m\angle 3$, $m\angle 4$, and $m\angle 5$.



Triangle 3 Worksheet Key

1. 60°

2. 103°

3. 32°

4. 180°

5. 50°

6. 25°

7. 360°

8. 30°

9. 75°

10. 27°

11. 50°

12. $m\angle 1 = 111^\circ$

$m\angle 2 = 69^\circ$

$m\angle 3 = 60^\circ$

$m\angle 4 = 60^\circ$

$m\angle 5 = 51^\circ$

